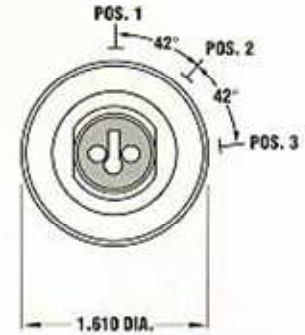
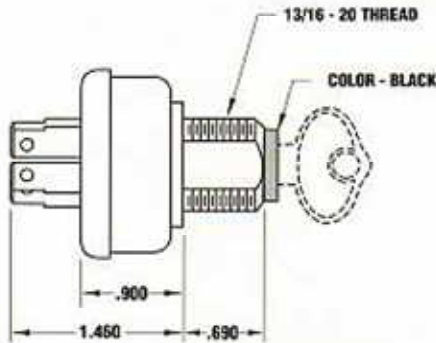


3 Position Key Switches (Milled Keys)

3 Position Key Switches (Milled Keys)



Part Number	Switch Type	Bushing Type:		Terminal Type	Connector Type PE #	Circuits Made:			Notes
		Thread	Length			Pos. 1	Pos. 2	Pos. 3	
C457A	Bat. Ign.	13/16-20	.690"	PE(3)	2962510	None	B+I	B+I+S	2
D457A	Magneto	13/16-20	.690"	PE(3)	PE 56	M+G	None	B+S	1,2
1A463A	Magneto	13/16-20	.690"	PE(5)	2973422	G+M	B+L	B+S	2,4,5,7
3A463A	Special	13/16-20	.690"	PE(5)	2973422	None	B+A/X+Y	B+S/X+Y	2
3F463A	Bat. Ign.	13/16-20	.690"	PE(5)	2973422	None	B+I+A/None	B+I+S/X+G	2
3R463A	Bat. Ign.	13/16-20	.690"	L(2) PE(2)	LUG(10-32) PE 56	None	X+Y	X+Y/B+S	2
3V463A	Bat. Ign.	13/16-20	.690"	PE(7)	2973422, 2962965 & 2962793	None	B+I+A/Y+Z	B+I+S/X+G	1,2,3
4A463A	Magneto	13/16-20	.690"	PE(6)	2973422 & 2962448	None/M+G	B+A/None	B+A/S1+S2	2,6,7
4D463A	Bat. Ign.	13/16-20	.690"	PE(6)	2973422	None	B+I+A/X+Y	B+I+S/None	2,7
4E463A	Special	13/16-20	.690"	PE(5)	2973422	None	B+A/X+Y	B+S/X+Y	2,7
4L463A	Magneto	13/16-20	.690"	PE(6)	2973422 & 2962448	None/M+G	None/G+S	L+A/S+B	2,6,7

Notes: 1. Case is grounded.

2. Spring return from position "3" to position "2".

3. Terminals "A," "B," & "S" are copper.

4. Five key combinations are available for the 1A463 series.

5. Lockout feature: switch must be turned to "OFF" position before re-entering "START" position.

6. Drain holes in two places.

7. Switch has a rubber boot which extends beyond bushing thread.