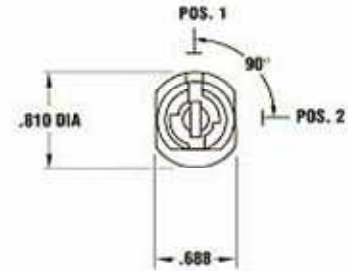
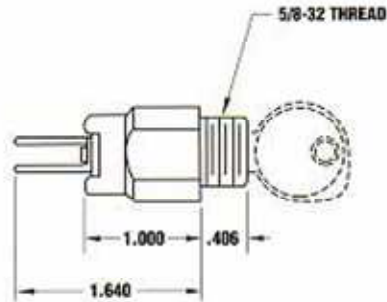


2 Position, Small Key Switches (Stamped Keys)

2 Position, Small Case Key Switches (Stamped Keys)



P431A



Part Number	Switch Type	Bushing Type:		Terminal Type	Connector Type PE #	Circuits Made:		Notes
		Thread	Length			Pos. 1	Pos. 2	
431A	Magneto	5/8-32	.406"	PE(2)	2962967	M+G	None	
A431A	Magneto	5/8-32	.406"	PE(1)	PE 56	M+G	None	1
B431A	Magneto	5/8-32	.406"	LUG(1)	LUG(8-32)	M+G	None	1
C431A	Magneto	5/8-32	.406"	PE(2)	6294828	M+G	None	1
D431A	Magneto	5/8-32	.406"	PE(2)	2962967	M+G	None	
E431A	Magneto	5/8-32	.406"	PE(1)	PE 56	M+G	None	1
F431A	Magneto	5/8-32	.406"	LUG(1)	LUG(8-32)	M+G	None	1
H431A	Magneto	5/8-32	.406"	PE(2)	LUG(8-32)	M+G	None	
J431A	Magneto	5/8-32	.406"	45PE(2)	2962967	M+G	None	
L431A	Magneto	5/8-32	.406"	PE(2)	2962967	M+G	None	3
P431A	Starting	5/8-32	.406"	PE(2)	2962967	None	B+S	2
2A431A	Bat.Ing.	5/8-32	.406"	PE(2)	2962967	None	B+S	

Notes: 1. Case is grounded.

2. Spring return to position "1".

3. Drain holes in two places.